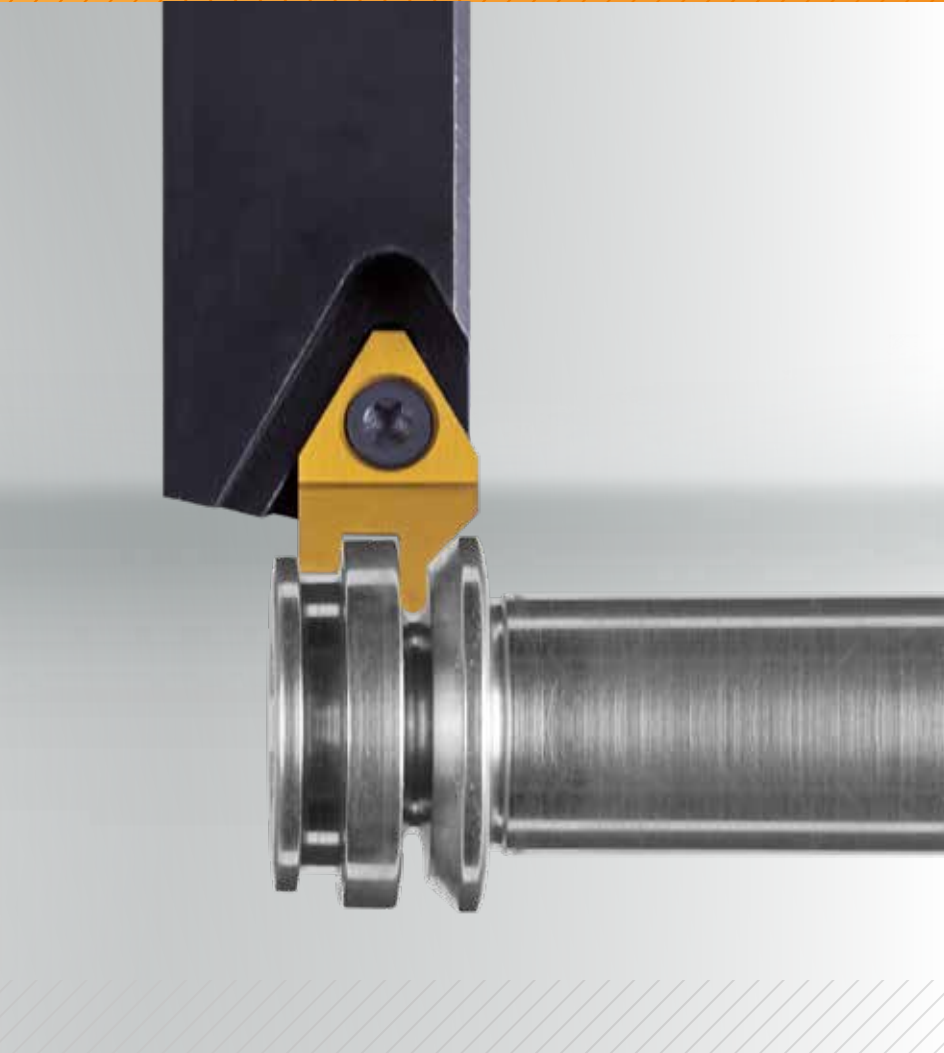


Machining technology

OD Grooving on rotary transfer machines



Special system solutions
for all machine types.



OD Grooving on rotary transfer machines: Special system solutions for all machine types!

In mass production, when manufacturing precision parts continuously, rotary transfer machines offer a considerably higher efficiency in comparison to single spindle or multi-spindle automatic lathes.

The special feature on rotary transfer machines is that the part is stationary while the tool is rotating around the part which requires specific grooving tools.

Depending on the application Schwanog applies here either its PWP or WEP system. Due to the cutting pressure distribution and the resulting centrifugal forces at rotary transfer applications, on both recessing and turning heads, usually two grooving tools are simultaneously in use. As with all Schwanog systems, the Schwanog OD grooving tools for rotary transfer machines also offer outstanding advantages in terms of efficiency.

As a result, you benefit from significant part cost reductions and a fascinatingly high repeatability. For each material, Schwanog offers the optimal carbide grade for the form tools, which are individually ground or EDM wire-cut to customer-specific geometries.

The product line at a glance:

□ Insertable form tool systems for recessing and turning heads:

PWP system:

- Cutting width range from 9–33 mm

WEP system:

- Indexable tool with 3 cutting edges
- Cutting width range from 3.5–12 mm

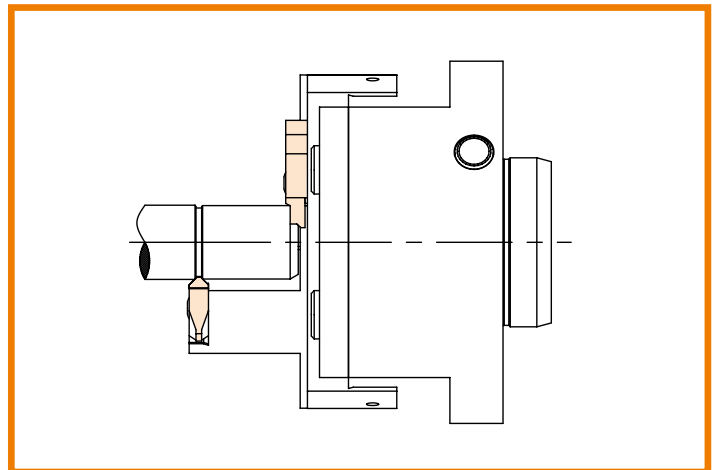
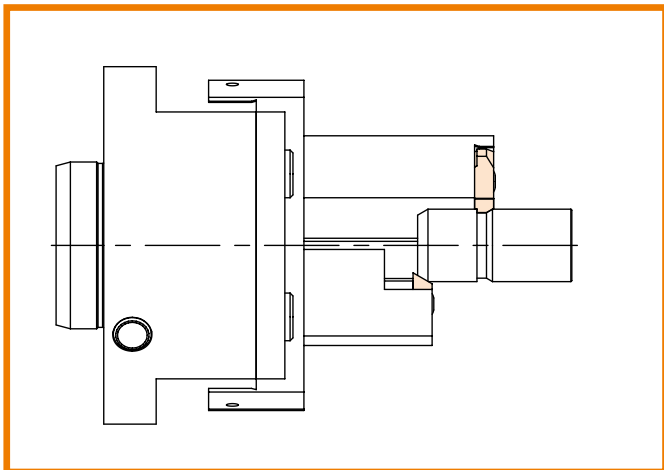
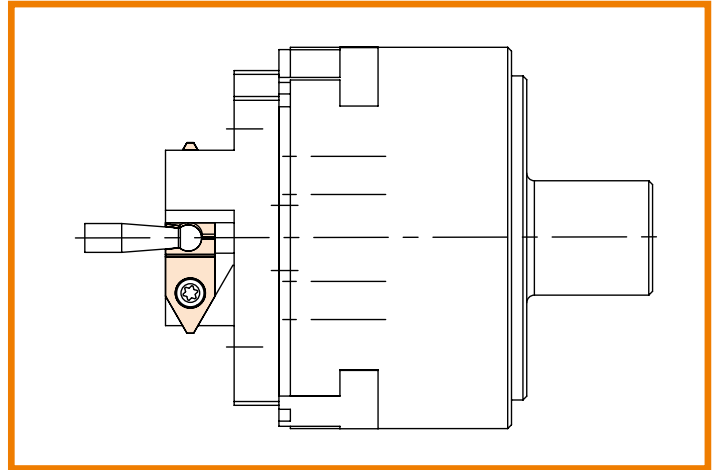
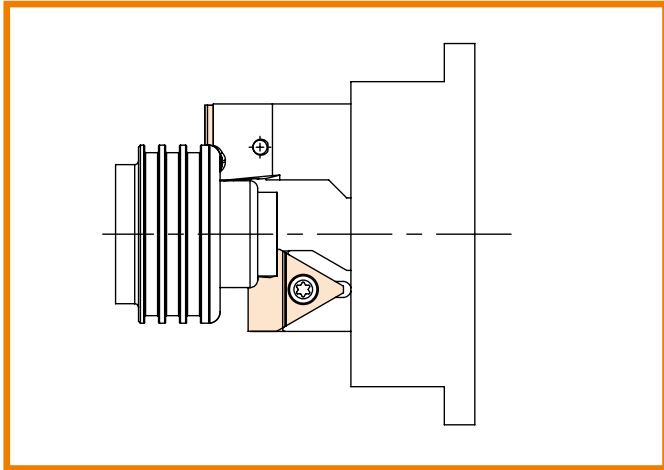
□ Holders for all heads

□ Standard (ISO) holders for turning tools

□ Balancing service for tool holders, software supported



Application examples



Technical facts:

- Special OD grooving systems for all machine and holder types
- Cutting width range from 3.5–33 mm
- High repeatability
- Optimal carbide grade of the tools, suited to the respective materials
- Superior surface finish quality due to the ground tool

Economic advantages:

- Considerable reduction of part costs
- Quick tool changeovers due to the insertable tooling system
- Elimination of tool adjustment after tool changeovers due to high system repeatability

Visit our website at www.schwanog.com and watch the 3D animation for the OD grooving system on rotary transfer machines.

There is a perfect solution for every manufacturing process! Take this opportunity and use our capability to lower your part costs and thus increasing your profitability. We are looking forward to show you how, just call or email us your application along with part drawing.

Insertable tooling systems



OD Grooving



OD Grooving for rotary transfer machines



ID Grooving



ID Grooving and turning with WSI



Form drilling



Solid Carbide drills



Shave Tools



Skiving Tools



Polygon turning



Broaching of Serrations




OD Whirling





ID Whirling Tools (Thread Mills)




Parts selector

 **Schwanog · Siegfried Güntert GmbH**
Niedereschacher Str. 36 · D-78052 VS-Oberschach
Tel. +49 (0) 77 21 / 94 89-0 · Fax +49 (0) 77 21 / 94 89-99
www.schwanog.com · info@schwanog.com


 **Schwanog LLC**
1301 Bowes Road, Suite A · Elgin, IL 60123
Phone: 847-289-1055 · Fax: 847-289-1056
www.schwanog.com · info.usa@schwanog.com

 **Schwanog France**
ZAC des Léchères · 65 Clos de l'Ouche · F-74460 Marnaz
Tel. +33 450 18 65 16 · Fax +33 450 18 47 75
www.schwanog.com · info.france@schwanog.com

 **Schwanog Indexable Form Tools (Kunshan) Co. Ltd**
German Industry Park II · #329 Jujing Road
215321 Kunshan, Jiangsu Province
Phone: 0512 8788 0075
www.schwanog.com · info.china@schwanog.com

 **Schwanog · Siegfried Güntert GmbH**
CZ-68201 Vyškov
Tel./Fax: +420 517 351 740 · Mobil: +420 739 257 060
www.schwanog.com · ludvik.sochor@schwanog.com

 **Schwanog · Siegfried Güntert GmbH**
PL-05-410 Józefów
Tel: +48 606 177 025 · Fax: +48 22 610 07 45
www.schwanog.com · lukasz.kucinski@schwanog.com

 **Schwanog · Siegfried Güntert GmbH**
SE-33376 Reftele
Phone +46 734 472 100
www.schwanog.com · jonas.lund@schwanog.com

 **UBR SRL**
Viale Italia 95 · 25064 Gussago (Brescia)
Phone +39 030 2520842 · Fax +39 030 2521481
www.ubr.it · ubr@ubr.it