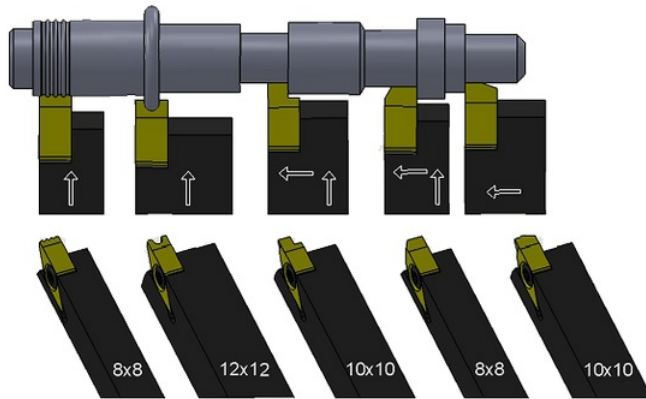




## Insertable Form Tool Systems

### THE DCI SWISS-TYPE TURNING / GROOVING SYSTEM

**PUTS AN END TO HIGH  
PARTS COSTS!**



Everyone who wants to reduce part costs on swiss-type automatic lathes will be delighted with Schwanog's DCI turning and grooving system.

The holders are available in shank sizes from 8 x 8mm up to 20 x 20mm and in left-hand and right-hand versions and carry a double-edged indexable DCI insert.

As always with Schwanog, the tools are profiled according to customer drawing and ensuring maximum efficiency.

#### By the way:

The system is suitable for grooving processes as well as for classic turning on swiss-type automatic lathes.

#### THE FACTS AT A GLANCE

- Shank sizes from shaft 8x8mm up to 20x20 mm
- Left-hand and right-hand versions available
- 2-edge indexable DCI insert
- For grooving and turning on swiss-type automatic lathes
- Maximum cutting depth 3.5 mm

**If your job, too, is to cut costs and increase profits, just give us a call or send us your part drawing.**

#### YOUR BENEFITS:

- Parts cost reduction of up to 40 %
- Maximum machining flexibility
- Inserts profiled according to customer drawing
- Increase in tool life through optimum coating

Schwanog

Siegfried Güntert GmbH

Niedereschacher Str. 36

D-78052 Villingen-Schwenningen

Phone: +49 7721 9489-0

Fax: +49 7721 9489-99

E-Mail: [info@schwanog.com](mailto:info@schwanog.com)

Imprint

[www.schwanog.com](http://www.schwanog.com)

